

Contents in this document may change without prior notice.  
Please obtain the delivery specification for the latest design.



InfoSOSA™ Series  
3.5" Touchscreen Display

**IS731-3**

Model: IS731-3Q-D05

**Product Specification**

## Table of Contents

1. Summary.....	3
2. IS731-3 Product .....	3
2-1 General Specification.....	3
3. Packaged Content.....	3
3-1 Standard Specification.....	3
4. Unit Specification .....	4
4-1 Performance .....	4
4-2 Electrical Specification.....	5
4-3 Appearance Specification .....	5
4-4 Environment Specification .....	6
4-5 Compliance.....	6
4-6 Name of each part .....	7
4-7 External Interface.....	8
4-8 Product Label .....	11
5. Developing Environment.....	12
5-1 Development Tool.....	12
6. Mounting the Unit.....	13
6-1 Mounting Condition.....	13
6-2 Mounting.....	14
6-3 Panel Opening Example.....	14
7. Warranty.....	15
7-1 Warranty Period.....	15
7-2 Warranty Exceptions.....	15
8. Production Discontinuance .....	15
9. Others .....	16

### APPENDIX:

3.5" OUTLINE (SM3-002104-10)

# 1. Summary

This specification describes the InfoSOSA™ series of HMI with touch screen displays. You can operate your device by interactive operations of the touchscreen, made possible by communicating with the host device.

## 2. IS731-3 Product

### 2-1 General Specification

Model	Specification Distinction*			
	Display size	Resolution	Rated voltage	Maximum support language
IS731-3Q-D05	3.5"	QVGA (320 x 240)	5VDC	1 language*1

\*1 language (Maximum of 1 system font language can be used.)

## 3. Packaged Content

### 3-1 Standard Specification

#### ■ 3.5"

Packaged Content	Specifications
	IS731-3Q-D05
• Main Unit	10 units/box

## 4. Unit Specification

### 4-1 Performance

#### ■ 3.5"

Items		Specifications
		IS731-3Q-D05
Display	Type	3.5" TFT LCD
	Resolution	320(W) x 240(H)
	Color	65,536 Colors
	Backlight	LED Backlight (Brightness can be adjusted by 8 levels) On/Off function, automatic Off function
	Language	System Font*1 Select 1 from below languages: Japanese Korean English and European language Image Font*2
Memory Capacity	User Flash Memory	20MB*3
Touch Screen	Type	Analog Resistive
	Resolution	320 x 240
	Input Method	Finger or R0.8 Polyacetal pen
	Touch Sound	Yes
Serial I/F	SIO1	RS232(TXD,RXD,RTS,CTS)Nylon Connector
	SIO2	RS422/485(TXD,RXD)Nylon Connector
Battery I/F		Nylon Connector
Other I/O	Buzzer	Variable Frequency
	RTC*4	±65 seconds/month (Error at room temperature, no power flow.)

\*1 English (alphabet) is included in all languages.

\*2 Fonts installed in the computer can be displayed as bitmaps.

\*3 This area contains font data.

\*4 External battery needs to be connected to Battery I/F in order to back up the RTC.

Set to correct time on a regular basis when using on systems where time error is a problem.

## 4-2 Electrical Specification

### ■ 3.5"

Items	Specifications
	IS731-3Q-D05
Absolute Maximum Rated Voltage	0-6V DC
Rated Power Voltage Range	5V DC±5%
Power Consumption	TYP. 180mA *1
	MAX. 350mA
Backup Current (RTC)*2	TYP. 60µA
	MAX. 80µA
GND Frame Connection	GND (Signal GND) and Frame (Sheet metal) are connected inside the unit.

\*1 LCD display set at brightness level 4 in 25 degrees Celsius.

External battery needs to be connected to Battery I/F in order to back up the RTC.

Note: When gentle power source is used for rising and falling of power, it may not operate properly. Also, when rebooting, leave it off for a while after turning off; do not turn the power back on immediately. It may not boot up accurately.

## 4-3 Appearance Specification

### ■ 3.5"

Items	Specifications
	IS731-3Q-D05
External Dimension (Does not include projections)	88(W)×70(H)×22(D)mm *1
Weight	Approximately 140g

\*1 Error margin not included. Please refer to each outline diagram for details

#### 4-4 Environment Specification

■ 3.5"

Items	Specifications
Ambient Operating Temperature	0 to 55 degrees Celsius
Ambient Storage Temperature	-20 to 80 degrees Celsius
Ambient Operating Humidity	10 to 90%RH (Non-condensing, Wet bulb temperature is 39 degrees Celsius or less)
Ambient Storage Humidity	10 to 90%RH (Non-condensing, Wet bulb temperature is 39 degrees Celsius or less)
Dust	0.1mg/m <sup>2</sup> or less (conductive dust prohibited.)
Corrosive Gas	Prohibited
Vibration Resistance	5 to 9Hz Half amplitude 3.5mm 9 to 150Hz Fixed acceleration 9.8m/s <sup>2</sup> X,Y,Z each direction 10 times (for 100 minutes) (JIS B 3502, IEC61131-2 Compliant)

#### 4-5 Compliance

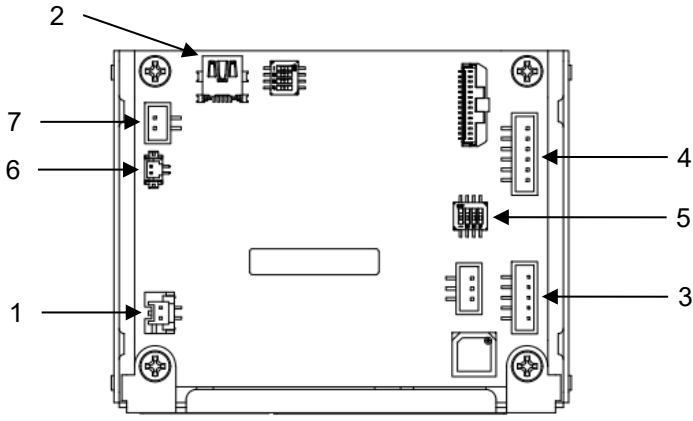
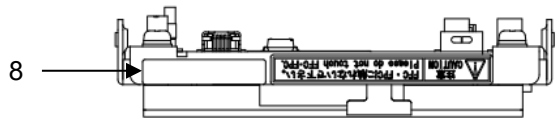
##### 4-5-1 RoHS Directives

■ 3.5"

Complies with the RoHS Directives of EU.

#### 4-6 Name of each part

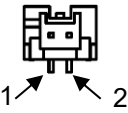
■ 3.5"

Specifications	
IS731-3Q-D05	
■ Back side	
	
■ Bottom side	
	
<ol style="list-style-type: none"><li>1. Power Connector (5VDC)</li><li>2. USB Device Interface</li><li>3. Serial Ports (SIO1)</li><li>4. Serial Ports (SIO2)</li><li>5. Communication mode setting Switch</li><li>6. Battery Interface 1</li><li>7. Battery Interface 2</li><li>8. Product Label</li></ol>	

## 4-7 External Interface

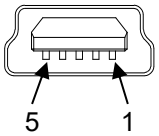
### 4-7-1 Power Connector

■ 3.5"

Specifications		
IS731-3Q-D05		
Interface: 5VDC IN		
Connector: Nylon Connector		
Model: BM02B-PASS-1-TFT (JST)		
Pin No.	Signal	Outline
1	+5V	
2	GND	

### 4-7-2 USB Device Interface

■ 3.5"

Specifications		
IS731-3Q-D05		
Interface: USB 2.0		
Connector: USB Mini-B		
Pin No.	Signal	Outline
1	USB_VCC	
2	D-	
3	D+	
4	NC*1	
5	GND	

\*1 NC stands for 'Not Connected'.



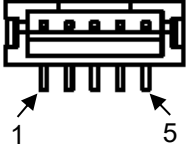
### 4-7-3 Serial Ports (SIO1 / SIO2)

Set the communication specification with the InfoSOSA builder.

#### SIO1

##### ■ 3.5"

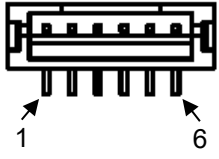
SIO1 can be used at Host Communication and at download.

Specifications			
IS731-3Q-D05			
Interface:RS232C			
Connector: Nylon Connector			
Model: B5B-PH-SM4-TB (JST) equivalent			
Pin No.	Signal	Direction	Outline
1	RXD	InfoSOSA <- Host	
2	TXD	InfoSOSA -> Host	
3	GND	-	
4	RTS	InfoSOSA -> Host	
5	CTS	InfoSOSA <- Host	
Communication			
Items	Specification		
Baud Rate	4800/9600/19200/38400/57600/115200bps		
Data Length	8 Bit		
Parity	None/Odd/Even		
Stop Bit	1 Bit		
Flow Control	None/Hardware flow control (RTS/CTS control)		
Default Setting			
Communication specification at factory state:			
Items	Specification		
Baud Rate	115200bps		
Data Length	8 Bit		
Parity	None		
Stop Bit	1 Bit		
Flow Control	Hardware flow control (RTS/CTS control)		

## SIO2

### ■ 3.5"

SIO2 can be used at Host Communication.

Specifications					
IS731-3Q-D05					
Interface:RS422/485					
RS422/485 setting enable to change by SW1					
Connector: Nylon Connector					
Model: B6B-PH-SM4-TB (JST) equivalent					
Pin No.	RS422		RS485		Outline
	Signal	Direction	Signal	Direction	
1	TXD+	InfoSOSA -> Host	DATA+	InfoSOSA <-> Host	
2	TXD-	InfoSOSA -> Host	DATA-	InfoSOSA <-> Host	
3	GND	-	GND	-	
4	RXD+	InfoSOSA <- Host	(DATA+)	Internally connected to pin 1	
5	RXD-	InfoSOSA <- Host	(DATA-)	Internally connected to pin 2	
6	GND	-	GND	-	
SW1 Communication mode setting					
Pin No.	RS422	RS485	Detail		
1	ON/OFF		ON: Terminating enable / OFF: disable		
2	OFF	ON	RS422/485 setting		
3	OFF	ON			
4	OFF	ON			
Communication					
Items		Specification			
Baud Rate		4800/9600/19200/38400/57600/115200bps			
Data Length		8 Bit			
Parity		None/Odd/Even			
Stop Bit		1 Bit			
Default Setting					
Communication specification at factory state:					
Items		Specification			
Baud Rate		115200bps			
Data Length		8 Bit			
Parity		None			
Stop Bit		1 Bit			
Communication mode		RS422			
Terminating		enable			

#### 4-7-4 Battery Interface

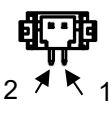
■ 3.5"

The battery should be a primary battery.

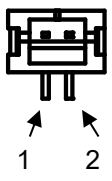
Use a battery with a nominal voltage of 3VDC.

Do not apply a voltage higher than 3.6VDC.

##### Battery Interface1

Specifications		
IS731-3Q-D05		
Connector Model: DF13C-2P-1.25V (21) (Hirose electric)		
Pin No.	Signal	Outline
1	+	
2	-	
Compatible battery: Maxell CR2032WK11 A primary battery with a nominal voltage of 3VDC may be used in addition to the compatible batteries listed above.		

##### Battery Interface2

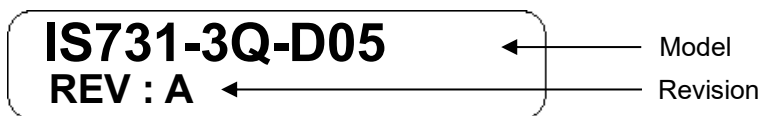
Specifications		
IS731-3Q-D05		
Connector Model: B2B-PH-SM4-TB (JST)		
Pin No.	Signal	Outline
1	+	
2	-	
Compatible batteries: Maxell "CR17450 A WK 41", "CR17450 A 2WK 35", "CR17335 A WK 11". A primary battery with a nominal voltage of 3VDC may be used in addition to the compatible batteries listed above.		

\*There are two battery interface connectors.

If two connectors are connected, the one with the higher voltage will be used first.

#### 4-8 Product Label

■ 3.5"



## 5. Developing Environment

Editing Screens of InfoSOSA is possible by using our development tool that we provide.

### 5-1 Development Tool

#### ■ 3.5”

InfoSOSA Screen Editor Software: InfoSOSA Builder (IS-BUILDER)

Screen data can be registered to the FlashROM equipped in the InfoSOSA Builder.

The maximum number of screens that can be registered to the parts that structure the screen change.

\* When using image files, please use ones that were created by individual users.

Using and distributing, without permission, files protected by the copyright is strictly prohibited by law.

Please note some free materials might have using restrictions

Seedware will not be held responsible for any troubles that may have occurred due to the copy right of the image files.

\* Please refer to the “InfoSOSA Builder Operation Manual” for more details.

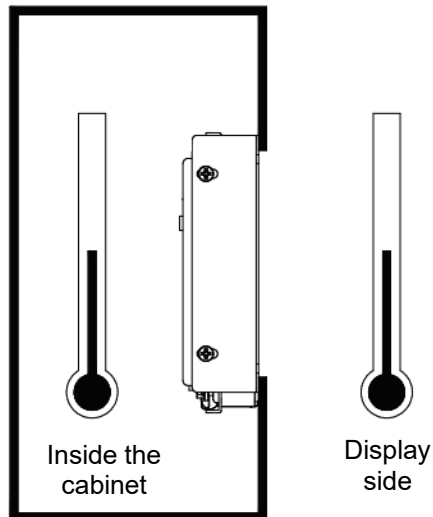
## 6. Mounting the Unit

### 6-1 Mounting Condition

#### ■ 3.5"

- When mounting, be sure to have enough room between the unit, structure and part and also consider the operation temperature.
- Be sure that the ambient operating temperature and the ambient humidity are within their designated ranges.

\*1 (Ambient operating temperature indicates the temperature of both the display side and inside the cabinet.)



## 6-2 Mounting

### ■ 3.5"

- When mounting the unit, design the chassis referring to the panel opening examples and the attached outline diagrams.
- Design the chassis so that there is no distortion or twisting.

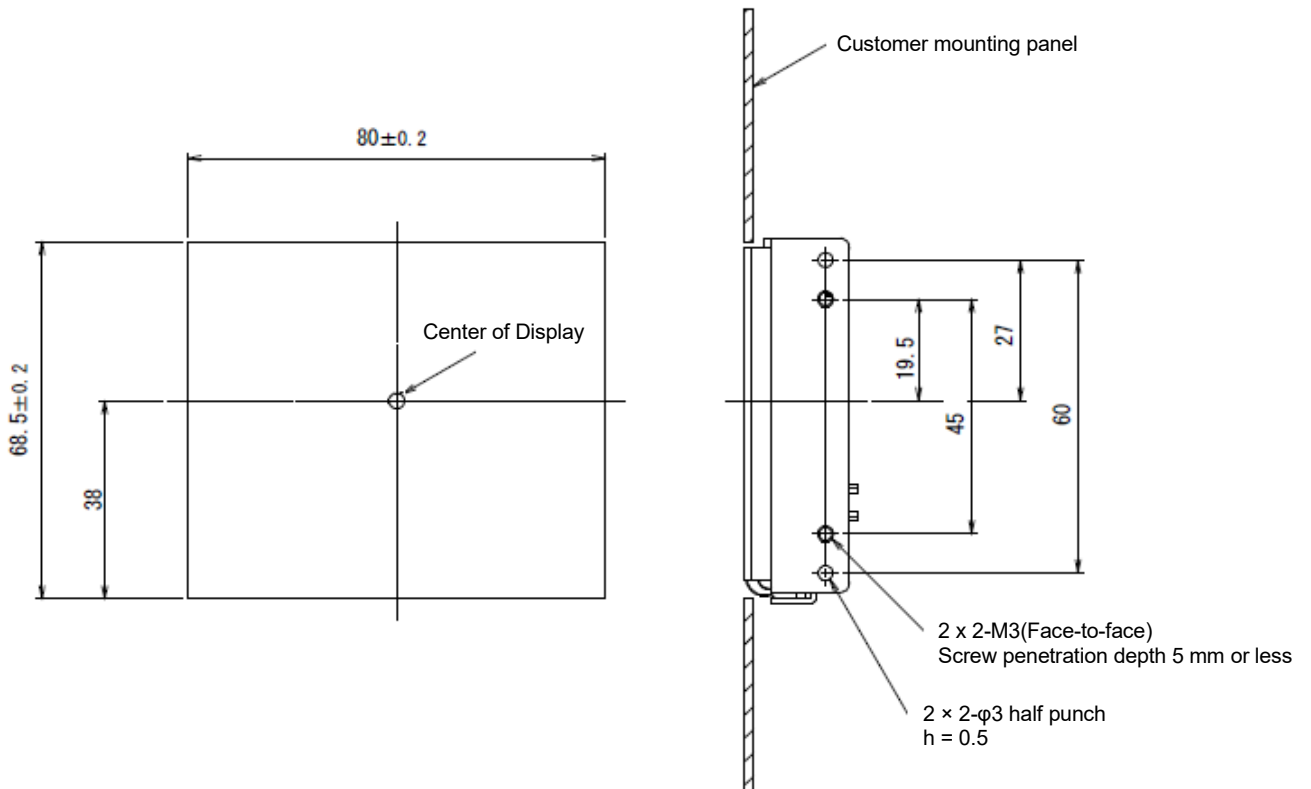
## 6-3 Panel Opening Example

### ■ 3.5"

Below is the panel opening dimension example for when applying sheets and etc. to the surface by opening the entire touch screen surface.

Design the chassis accordingly to the actual installing method.

\*Diagram from the front side of panel (panel thickness: 1.6mm or less).



## 7. Warranty

### 7-1 Warranty Period

#### ■ 3.5”

The warranty period is limited to 12 months (1 year) from the date of shipment. Warranty for any repair needed to the same repaired part of the same product is three months. Any defects that occur upon normal use under conditions specified herein will be repaired (factory repair) free of charge.

Any defected parts under proper use will be examined by the supplier and replaced by the new parts if the defect is considered to be caused by the supplier.

The replacement is subject to be included in the next lot.

### 7-2 Warranty Exceptions

#### ■ 3.5”

You will be liable for all repair fees even within the warranty period for any conditions listed below:

- (1) Any malfunctions, defects, and/or damages that occurred during transport, transfer, or mishandling by the user after delivery
- (2) Any malfunctions, defects, and/or damages caused by natural or man-made disaster.
- (3) Any malfunctions and damages caused by static electricity.
- (4) If the product is used under any condition, in any environment, or by any method other than those specified in the specifications, catalogs, manuals, notes, and/or other documents.
- (5) Any replacement of consumables.
- (6) Any malfunctions, defects, and/or damages caused by associated equipment and/or usage of inappropriate consumables and media.
- (7) If the product is repaired, remodeled, modified, or disassembled by a party other than Seedsware
- (8) If the product cannot be identified by a serial number.
- (9) Any malfunctions, defects, and/or damages that are to have been caused on your behalf.

This warranty covers only the product itself. Any damages, on-site repairs and replacement driven by the failure of the product will be decided upon discussion by both parties as necessary.

This product is structurally not repairable. All damaged parts are subject for replacement and freight will be charged.

## 8. Production Discontinuance

#### ■ 3.5”

In the event of production discontinuance, an announcement will be made on our website six months prior to the last possible order reception date.

## 9. Others

For comments or inquiries, feel free to contact us via e-mail.

\*Product, specification and/or anything noted are subject to change for improvement without prior notice.

### **By E-mail**

 [sales@uscoamerica.com](mailto:sales@uscoamerica.com)

### **FAQ**

 [www.seedsware.co.jp/global/support/faq/](http://www.seedsware.co.jp/global/support/faq/)

---

First Edition March, 2021

USCO America Inc.

136 W. Valletts Street, Elmhurst, IL 60126 USA

E-mail: [sales@uscoamerica.com](mailto:sales@uscoamerica.com)

Business hours: 9:00a.m.~5:45p.m. (Central Time)

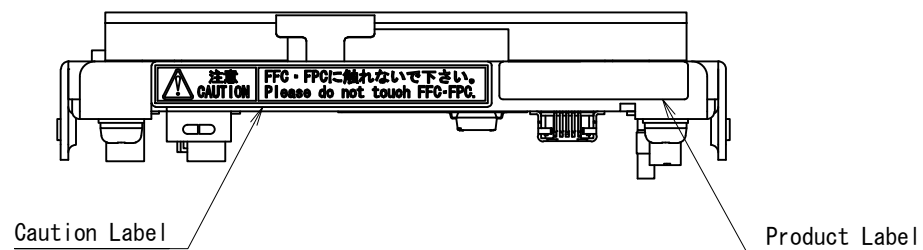
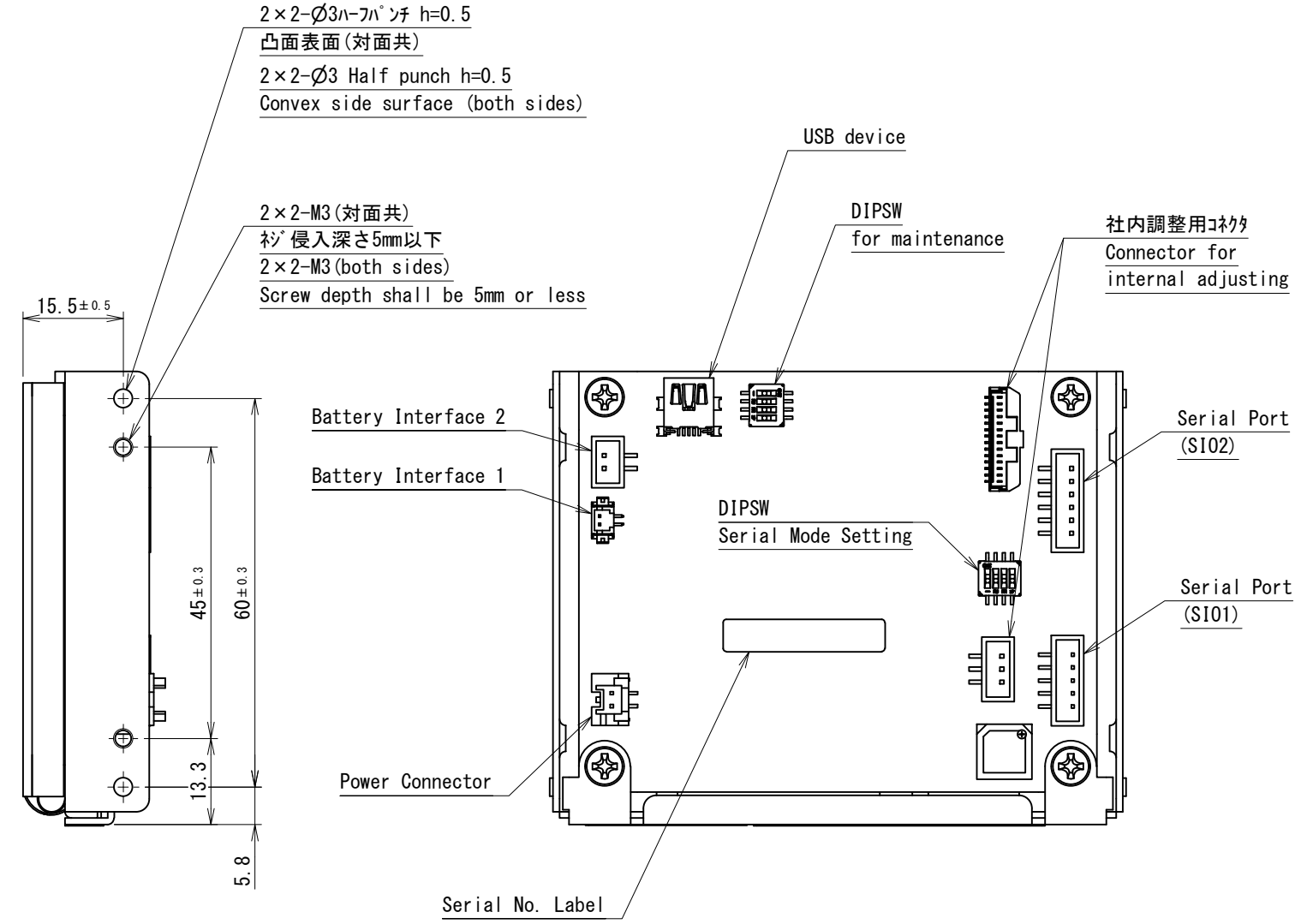
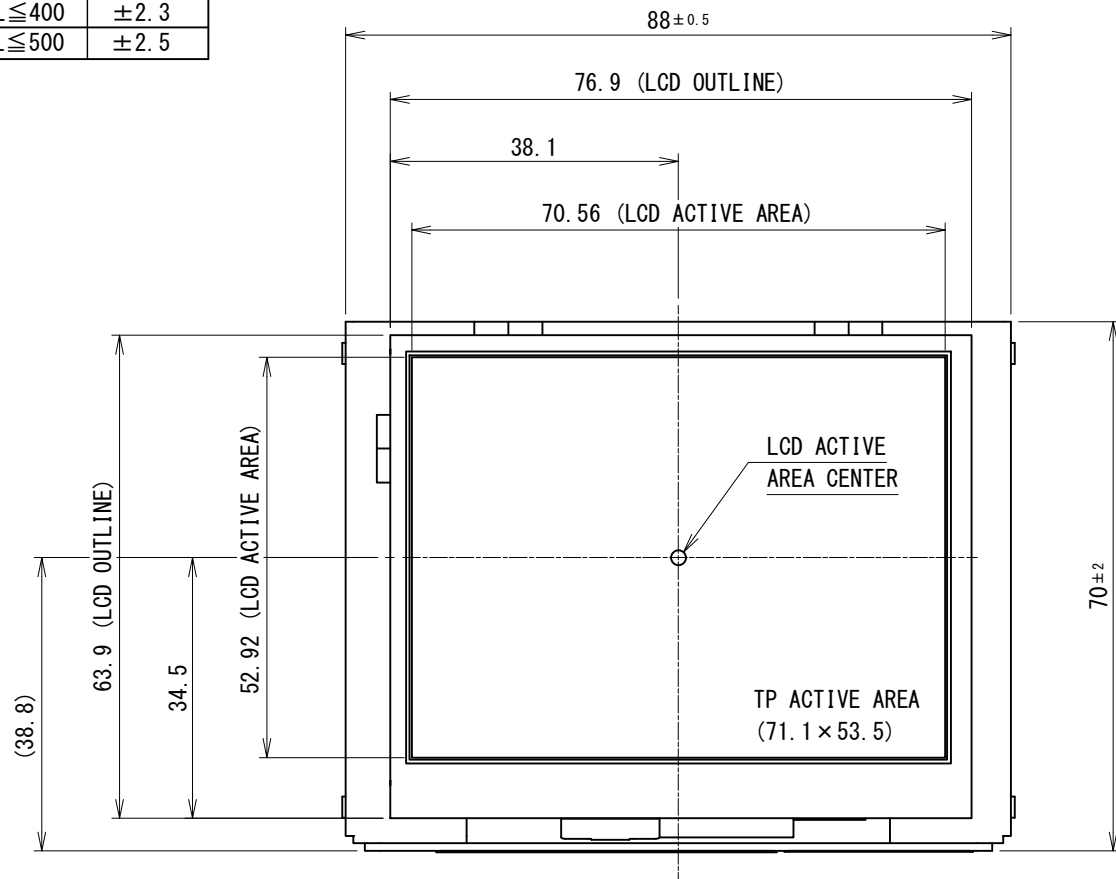
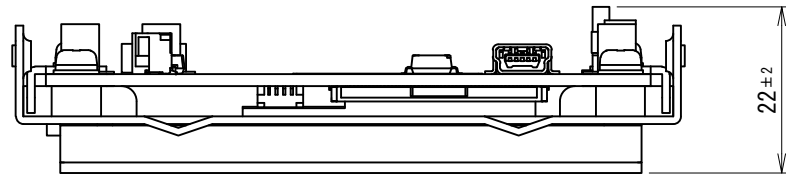
<http://uscoamerica.com/>

This document is protected by copyright law. Photocopying, duplicating, reproducing, and modifying of this product or document in part or by whole is prohibited.



寸法許容差 呼び寸法 Nominal Dimensions	TOLERANCE
L ≤ 3	±0.4
3 < L ≤ 6	±0.48
6 < L ≤ 10	±0.58
10 < L ≤ 18	±0.7
18 < L ≤ 30	±0.84
30 < L ≤ 50	±1.0
50 < L ≤ 80	±1.2
80 < L ≤ 120	±1.4
120 < L ≤ 180	±1.6
180 < L ≤ 250	±1.85
250 < L ≤ 315	±2.1
315 < L ≤ 400	±2.3
400 < L ≤ 500	±2.5

SYM	改訂日 DATE	改訂内容 DESCRIPTION	ページ PAGE	担当 DESIGNED
	2019.08.23	新規図面登録	-	S. Takada



**NOTES**

- 指示なき寸法公差は一般寸法公差とする。  
Tolerance shall be of general dimensional tolerance unless specified otherwise.
- 社内調整用コネクタは、お客様での使用はできません。  
Connector for internal adjustment: cannot be used by customer.

製図日 ISSUED	2019.08.23	部署 SECTION	Technical Dept.	尺度 SCALE	CAD登録名 CAD FILE NAME	19K005_IS731-3_OUTLINE	RoHS対応品 RoHS compliant
承認 APPROVED		検図 CHECKED		1:1	製品名 MODEL	IS731-3Q-D05	
		製図 DRAWN	S. Takada	単位 UNIT	図名 TITLE	OUTLINE	ページ PAGE
T. Okada	S. Yoshimoto		S. Takada	mm			1 / 1
 株式会社 シーズウェア			A3		図番 DWG No.	SM3-002104-10	