



EM Series

7" Wide

5VDC

Linux/ Touch Panel Embedded

Open Frame Panel Computer

EM8/EMG8

Model: EM8-W207A7-0005-207 / EMG8-W207A7-0005-207

Instruction Manual

Seedsware Corporation

<http://www.seedsware.co.jp/global/>

Table of Contents

1.	Introduction	3
2.	Notes.....	3
3.	Precautions for Safe Use.....	3
3-1	Warnings	4
3-2	Cautions	5
3-3	Handling of LCD Panels	7
3-4	Handling of Resistive Touch Screen	7
3-5	Handling of Projected Capacitive Touch Screen	7
3-6	Handling of microSD card.....	8
4.	Packaged Contents	9
5.	Names of Parts.....	10
6.	Installation	11
6-1	Installing condition.....	11
6-2	Mounting	12
6-2-1	Panel Opening Examples	12
6-2-2	Precautions for Mounting.....	13
7.	Wiring Procedure.....	15
7-1	Wiring Location	15
8.	Inserting and Removing the microSD card	17
8-1	Inserting the microSD card	17
8-2	Removing the microSD card.....	18
9.	Calibration	19
9-1	Sensor Sensitivity Calibration	19
9-2	Coordinate Calibration.....	19
10.	Starting Method	20
11.	Maintenance.....	20
11-1	Display	20
11-2	Regular Maintenance	20
12.	Warranty and Repair	21
12-1	Inquires	21
12-2	Warranty.....	21
12-3	Production Discontinuance.....	21
12-4	Repair Condition	21
13.	Others	22

1. Introduction

Thank you for choosing Seedsware products. Please read this manual carefully and use our product correctly.

This manual describes the 7 " panel computer.

In this manual, the 7.0" panel computer is referred to as EM8.

2. Notes





- Reproduction and/or duplication of this product and/or this manual, in any form, in whole or in part, without permission is strictly prohibited.
- Contents of this product and/or this manual are subject to change without previous notice.
- Although all efforts have been made to ensure the accuracy of this product and/or the contents of this manual, should you notice any errors or have any questions, feel free to contact and notify us.
- Seedsware shall not be held liable in any way for damages or losses, nor be held responsible for any claims by a third party as a result of using this product.

3. Precautions for Safe Use

Precautions are noted in this manual in order for the product to be used safely. Read this manual along with other related manuals carefully to understand the correct handling and functions of the EM8.

Safety Symbol Legends

Safety symbols listed below are noted throughout this manual for the EM8 to be used correctly. These symbols stand for very important safety information as noted below.

 Warning	Indicates a procedure, condition, or statement that, if not strictly observed, could result in severe human injuries or loss of life.
 Caution	Indicates a procedure, condition, or statement that, if not strictly observed, could result in human injuries or property damage.
	Indicates a procedure, condition, or statement that is strictly prohibited for correct use of the equipment. (Forbidden)
	Indicates a procedure, condition, or statement that must be strictly followed for correct use of the equipment. (Mandatory)

3-1 Warnings



Warnings for Design

- ⊘ Designing switches that might cause human injuries and/or property damage on the touch screen is strictly prohibited. Unintentional output signals due to malfunction of the main body, units, and/or cables, etc. can cause serious injuries. Design the system so that switches with major functions are equipped on other devices.
- ⊘ Designing safety related switches on the EM8 is prohibited. Switches related to safety, such as emergency stop switches, should be made on a different hardware.
- ⊘ Design the system so the device will not malfunction due to communication abnormalities between the EM8 and the host controller. Failure to follow may result in injury to the human body or damage to properties.
- ⊘ Do not use EM8 as a major warning system that may cause injuries/ serious material damages, and or production stoppage. Control devices related to critical warning displays and warnings should be structured on an independent, redundant hardware system or a mechanical interlock.
- ⊘ EM8 is not intended for use for aircraft equipment, aerospace instruments, trunk line communication equipment, nuclear power control equipment, and medical equipment that concerns life support, and or other equipment that concerns high reliability and safety. It cannot be used for these purposes.
- ❗ When using the EM8 for purposes that concern high reliability and safety functions and accuracy such as transport equipment (trains, automobiles, ship, etc.), crime/disaster prevention devices, various safety devices, and medical equipment that does not concern life support, be sure to have safety features including redundancy and false operation prevention measures incorporated into the entire system.
- ⊘ Display will black out when the backlight goes out. If mistakenly operated in this condition, it might result in improper operation. Do not design touch-switches that might cause human injuries and material damages on the EM8.
Phenomenon as below will occur when the backlights go out:
(1) Screen will go out even if the Backlight OFF function is not set.
(2) Display does not recover at touch after the backlight goes off as well as the display.

Warnings for Handling

- ⊘ Do not modify/disassemble the EM8. It may cause fires and/or electric shocks
- ⊘ Do not use around flammable gas. It may cause explosions.
- ⊘ Do not put any kind of liquid, such as water, and metals into the product. It may cause fire and/or electrical shocks.

Warnings for Wiring

- ❗ For wiring and installation, please refer to the manual and specifications in order to conduct it correctly. It may cause fires and/or electric shocks.
- ❗ Before installing the power cable, make sure power is not being supplied from power source. It may cause electrical shock.
- ⊘ Do not use power voltage other than what is specified. It may cause fires and/or electric shocks.

Warnings when energized and during maintenance

- ⊘ Do not connect or disconnect the communication cable with the host while the power is on.

3-2 Cautions



Cautions

Cautions for installation

- ❗ Make sure cables are securely connected to connectors to avoid wrong input and output due to loose connection.

Cautions for Applying Current and Maintenance

- ⊘ During access to microSD card, do not turn off the EM8 or pull out the microSD card. It might damage the data inside of the microSD card.

Cautions for Wiring

- ❗ Make sure chips and objects from wiring do not enter the EM8. It may cause fire or malfunctions.

Cautions for Disposal

- ❗ When disposing the product, please treat it as industrial waste.

Precautions for Safe Use

- ⊘ Do not press down hard on the display area of EM8 with hard objects. It may break the LCD panel and may cause injuries. Also, do not press down on the panel with sharp objects such as mechanical pencils or drivers. It may damage the displays.
- ⊘ Installing EM8 in areas out of the range of the specification will cause failures.
- ⊘ Do not use in areas where temperature rises and dwells rapidly. It may cause failures.
- ⊘ Avoid areas where rapid temperature change could cause condensation. It may cause failures.
- ⊘ Do not put any kind of liquid, such as water, or any metal parts into EM8. It may cause failures or electric shocks.
- ⊘ Do not use or keep EM8 in locations with exposure to direct sunlight, high temperature, fine particles, humidity, and/or vibrations.
- ⊘ Do not use or keep in areas where gasified chemicals are exuded into the air, or where chemical contamination can occur.
Acid, Alkali, other saline chemicals: Failures due to corrosion
Organic solvents: Fire
- ⊘ If the surface of EM8 gets dirty, wipe with a dry, soft cloth dampened with a neutral detergent then wrung dry. Do not use thinner or organic solvents.
- ⊘ LCD of display will deteriorate with ultraviolet rays. Do not use or keep in areas under strong ultraviolet rays.
- ⓘ When stored in sub-ambient temperature, LCD of display might coagulate and cause damage to the panel. Also, when stored in over-ambient temperature, the LCD will turn into isotropic liquid and will not turn back to its original state. Please store in specified ambient temperature.
- ⓘ After turning off the power of EM8, leave for a while before turning the power back on. It might not function normally.
- ⓘ Be sure to take back-up assuming the loss of data in the EM8 in an event of an unexpected accident.

3-3 Handling of LCD Panels

- 1) The LCD display contains skin-irritating materials. If liquid materials flow out due to damage and comes in contact with skin, wash the area under running water for at least 15 minutes. If it gets into the eyes, wash under running water and consult a doctor.
- 2) The LCD display might have uneven brightness according to the contents being displayed. This is not a malfunction.
- 3) Minute spots (dark or bright) may occur in the LCD display elements. This is a basic characteristic of the LCD display and not a malfunction.
- 4) When LCD display is viewed outside the specified view angel, the color might seem different. This is a basic characteristic of the LCD display and not a malfunction.
- 5) When displaying a same image for a long period of time, it might cause an image lag. This is a basic characteristic of the LCD display and not a malfunction.

In order to avoid image lags, please follow the below procedures:

1. When leaving the same image displayed, use the" display off" function.
2. Change the image displayed periodically and do not display the same image for a long period of time.

3-4 Handling of Resistive Touch Screen

- 1) Please be warned that applications that require for one point to be pressed for a prolonged time may cause failures due to the touch screen's structural characteristics.
- 2) The touch screen is made of glass. Glass becomes easy to break if scratched. Please handle with care and avoid glass from coming in contact other glass and hard objects.
- 3) Due to the characteristics of the touch screen, pressing a little outside the display area may be detected as the coordinates of the edge of the touch panel. Please consider the above whtn designing the application.
- 4) Touch screen coordinates may shift due to aging or depending on its operating environment. Conduct calibration of the touchscreen to correctly set the coordinates.
- 5) Please be careful when handling the glass. The glasses are not chamfered and can easily cause injuries.

3-5 Handling of Projected Capacitive Touch Screen

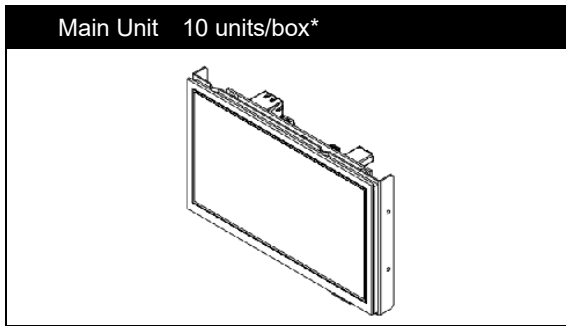
- 1) If elements that change ambient environments or electric fields (capacitors with large capacity, power units, and materials with high permittivity such as metals) are set close to the product, it might have impact to the coordinate detection. Make sure to keep a good distance from the above unstable elements as much as possible when designing.
- 2) Due to the characteristics of the touch screen, its functions might become unstable according to the environment it is installed. For correct operations, perform sensitivity sensor calibration when building into a device. Also if at any time the touch screen operation become unstable due to changes in environment or installation conditions, perform sensitivity sensor calibration.
- 3) The touch screen surface is made of glass. Glass becomes easy to break if scratched. Please handle with care and avoid glass from coming in contact with other glass and hard objects.
- 4) Touch screen may not operate correctly when there is moisture on the surface.
When moisture is detected on the touch screen surface, please wipe it dry before use.
- 5) When designing applications, consider the fact that area slightly outside the display might be read as a coordinate due to the characteristics of the touch screen when touched.
- 6) Be careful when handling the end face of the glass as it is easily injured.

3-6 Handling of microSD card

- 1) Use a computer for important data and take backup to an outside media (hard disc, CD-R, etc.) on a regular basis. We will not be held liable for any data lost or changed that is registered in the microSD card.
- 2) Do not remove the microSD card or turn the unit power off during write or read. It may cause the data inside the unit or the microSD card to be lost or damaged (deleted).
- 3) Please keep the socket terminal of the memory cards and microSD card clear of foreign objects.
- 4) Do not touch the terminals with fingers or metal objects. It may cause malfunctions.
- 5) When inserting the microSD card, make sure it is inserted in the correct direction.
- 6) Do not apply unnecessary force when inserting/removing.
- 7) Do not insert anything other than a microSD card into the microSD card socket. Also be careful of any foreign objects entering the socket.
- 8) Do not bend, break, or place under heavy objects.
- 9) Do not place in areas with sudden temperature change. Condensing will cause malfunctions.
- 10) Do not place in areas near corrosive chemicals or where corrosive gases evolve. It may cause malfunctions.
- 11) When cleaning, wipe with a dry soft cloth.
- 12) When carrying and storing, place the microSD card memory card in its protection case

4. Packaged Contents

Below are included in the package. Please check before use.



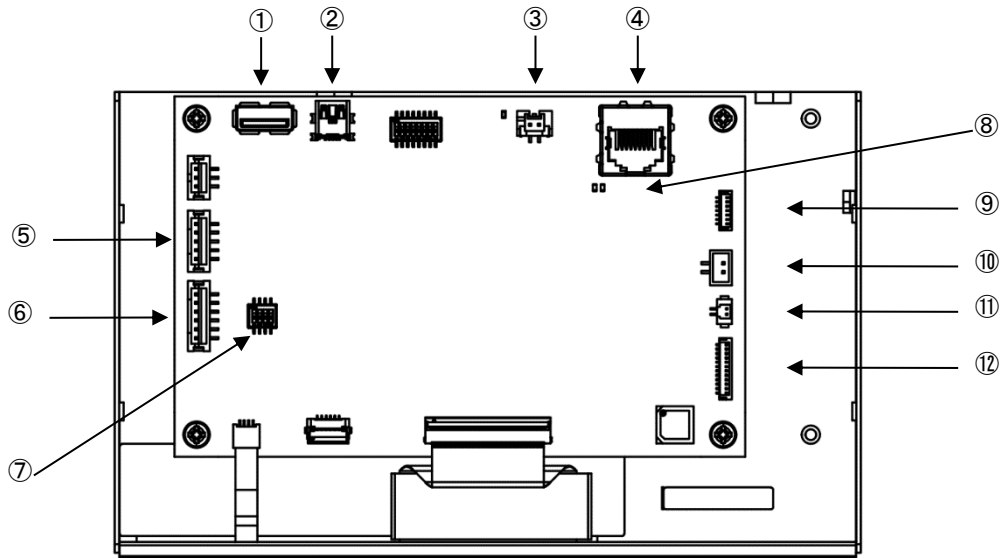
*Maximum number of units that could be stored: 10 units

<Note>

Although efforts have been made to ensure quality and packaging at shipment, should you notice any damage or a shortage of parts, please contact a dealer or Seedsware for additional instructions before use.

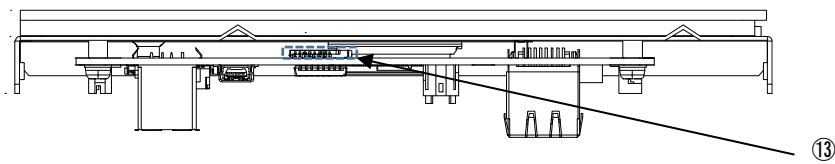
5. Names of Parts

■ Back



- | | |
|-----------------------|---------------------------------|
| ① USB Host | ⑧ Status LEDs for Ethernet Port |
| ② USB Device | ⑨ SPI/PWM Audio |
| ③ Power Input | ⑩ Battery Input2 |
| ④ Ethernet | ⑪ Battery Input1 |
| ⑤ Serial Port (SIO1) | ⑫ DIO |
| ⑥ Serial Port (SIO2) | |
| ⑦ SIO2 setting switch | |

■ Top

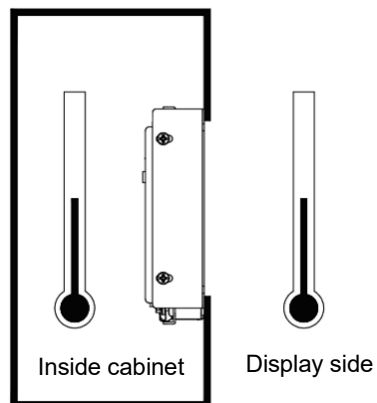


- ⑬ microSD Card slot

6. Installation

6-1 Installing condition

- When mounting the EM8 to panels, be sure to have enough room for inserting and removing of microSD cards, cables, and mounting brackets.
- Please ensure ventilation and consider the specification temperature between EM8 and the structures and parts when installing the EM8..
- Be sure that the ambient operating temperature (0°C to 55°C) and the ambient humidity (10%RH to 90%RH. Wet-bulb temperature is 39°C or less) are within their designated ranges.
“Ambient operating temperature” indicates both the display side and inside of cabinet where the EM8 will be installed.



6-2 Mounting

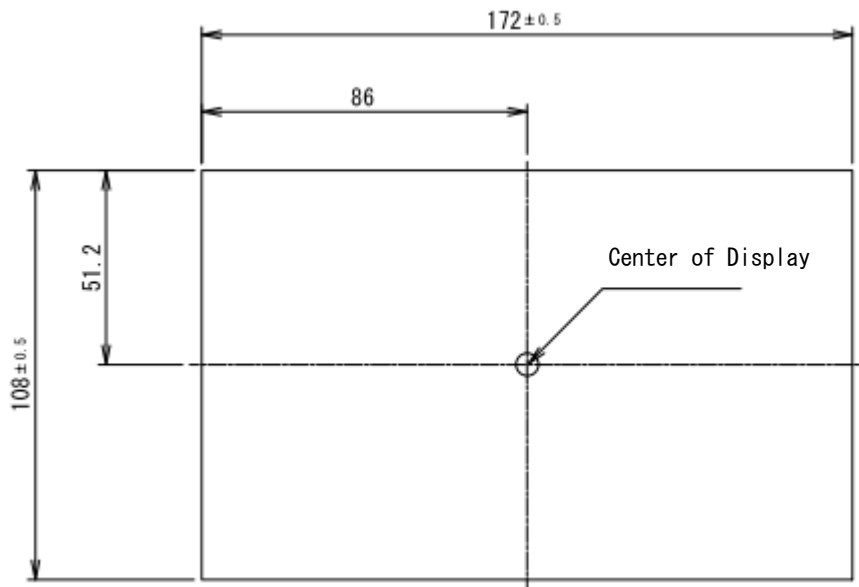
Please refer to the opening examples and precautions described in this manual.

The appropriate structure will vary depending on factors such as chassis design and operating environment. Please make sure to verify and evaluate the actual product after the design is completed.

6-2-1 Panel Opening Examples

Below is the panel opening dimension example for when applying sheets and etc. to the surface by opening the entire touch screen surface. Design the chassis accordingly to the actual installing method.

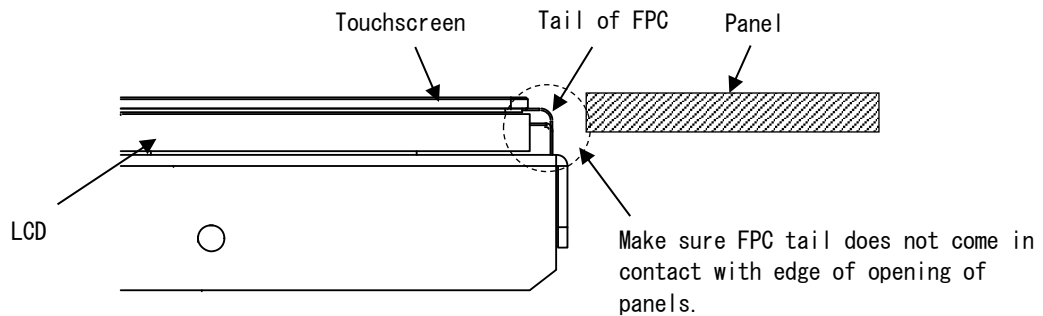
* Diagram from the front side of panel (panel thickness: 1.6mm or less)



6-2-2 Precautions for Mounting

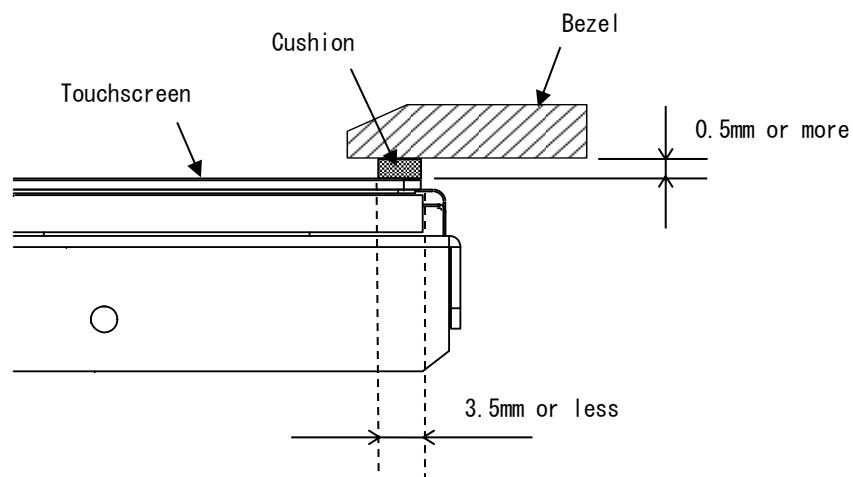
■EM8 Model (Analog Resistive Touchscreen)

- 1) When applying sheets to the surface of the entire opening of touchscreen surface.
 - Design and adjust the touchscreen a little apart (app 0.3mm recommended) so the sheet does not press down on the touchscreen.
 - Please do not directly touch the edges of the panel openings to avoid damage to the LCD, touchscreen, and tail of the FPC. If damaged, there is a possibility it may cause operation failure to the display and/or touchscreen,



- 2) When bezels come on top of touchscreen surface
 - Be sure to keep a clearance of 0.5mm or more between the inside of the bezel and the touchscreen surface in order to avoid input errors caused by strains of the bezel when hands are placed on it.
 - When placing cushions and/or dust-proof gaskets between the inside of the bezel and the upper electrode of the touchscreen, be sure to have some allowance to absorb the expansion/contraction differences due to temperature change. If cushions are pressed down strongly, the upper electrode of the touchscreen will distort or bend and may affect both the appearance and function.

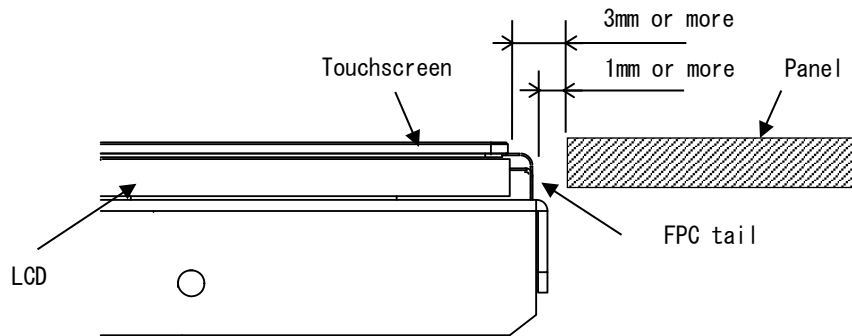
Also, the cushions should always be placed within 3.5mm from the edge of the touch screen.



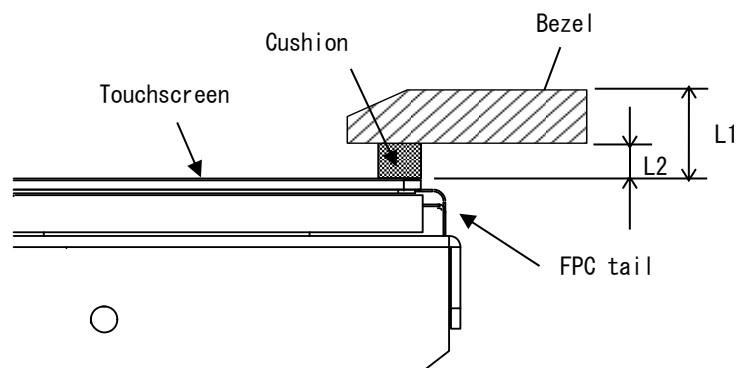
EMG8 Model (Projected Capacitive Touchscreen)

- Coordinate detection may be adversely affected if there are factors that change the surrounding environment or the electric field nearby such as capacitors with large capacitance, power supply units, materials with high dielectric constant such as metal, etc. When designing, please try to keep a distance as far as possible from the previously mentioned instability factors.

- When placing the panel and touchscreen on same surface
 - Place keep a distance of at least 3mm or more between panel and touchscreen and 1mm or more from the FPC tail.



- When bezel comes on top of touchscreen surface
 - It is recommended that the bezel placed on the top of the touchscreen is made of insulating resin. Please make sure to keep a distance (L1) between the touchscreen and the bezel as seen in below diagram.
 - When sheet metal bezel is used, capacitive coupling with the sheet metal may occur at the outer periphery of the active area. When designing the bezel with metal materials such as sheet metal, ensure that the gap L2 between the touchscreen and the bezel is about 2 mm.
 - Please keep the FPC tail of the touchscreen as far as possible from the metal.



Please make sure the below dimensions are kept to prevent the touchscreen from malfunctioning.

$L1 \geq 2\text{mm}$: Distance between bezel surface/ touchscreen.

$L2 \geq 2\text{mm}$: When using a sheet metal bezel, it is recommended that a distance of more than 2mm is secured between the touchscreen and the back side of the bezel.

7. Wiring Procedure

Please follow the Instructions of each number when wiring.

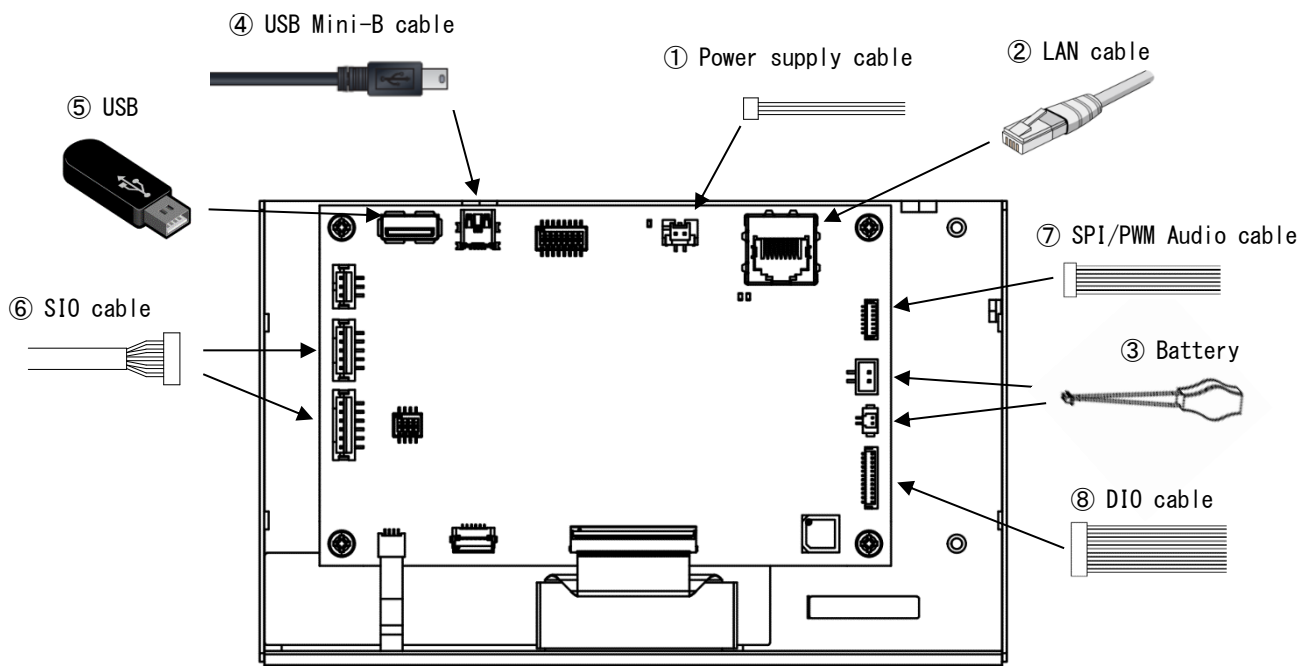
Apply power after all wirings are done; do not attempt to do the wiring with the power on.

All wirings do not need to be connected; connect only the ones necessary for the application to be used.

Please refer to the following for information on how to operate the software settings.

Document
Software Development Manual (17A4A5-00018E)

7-1 Wiring Location



① Connecting Power supply

Connect to 5VDC with power cable.

- ❶ Connect the power cable from the switching power supply to the shortest possible length.
- ❷ Be sure to wire separately by sequence the input-output device, power device, and power of EM8.
- ❸ Do not turn the power OFF while the unit is booting.

② Connecting to LAN cable

Connect LAN cable with network.

*LAN cable is not included in this package.

Corresponding cable: category 5 or higher

③ Connecting Batteries

Please connect the battery when RTC backup is needed.

*It can also be used without a battery if RTC backup is not required.

*There are two battery interface connectors, and a battery can be connected to either of them for backup.

Select a battery with the appropriate capacity for your system.

Even if two units are connected at the same time, they will not be destroyed.

- ❶ When inserting the battery, please check the + and – poles and make sure it is not inserted in the wrong direction.
- ❶ Dispose of used batteries according to domestic law

④ Connecting USB Mini-B cable

EM8 can be accessed as USB Ethernet by USB port connection to PC.

*Network settings are required.

*USB Mini cable is not included in this package.

⑤ Connecting USB devices

USB device such as keyboard, mouse (HID class), USB memory (Mass Storage Class) can be used.

*It does not guarantee accurate function for all USB devices available in the market; especially connection made via hubs should be avoided.

⑥ Connecting Communication Cables

Connect to serial ports (SIO1: RS232C、SIO2: RS422/485) of host (micro controller boards, PCs, etc.)

⑦ Connecting SPI/PWM audio

EM8 can be connected to SPI I/F devices or speakers.

SPI I/F devices and speakers cannot be connected at the same time.

If you want to connect SPI I/F devices, you need to create a driver for the device.

When connecting speakers, use MQS (Medium Quality Sound) to play audio.

⑧ Connecting DIO interface

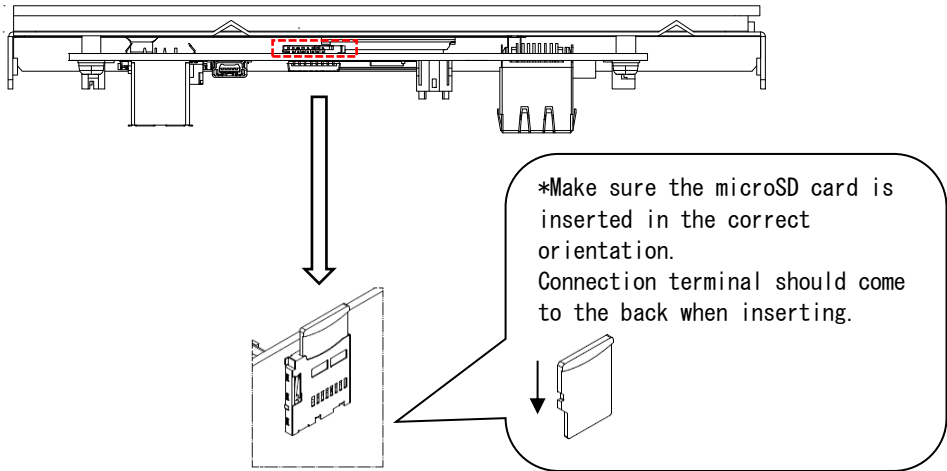
Switches, LEDs, etc. can be connected.

Check the DIO specifications before connecting.

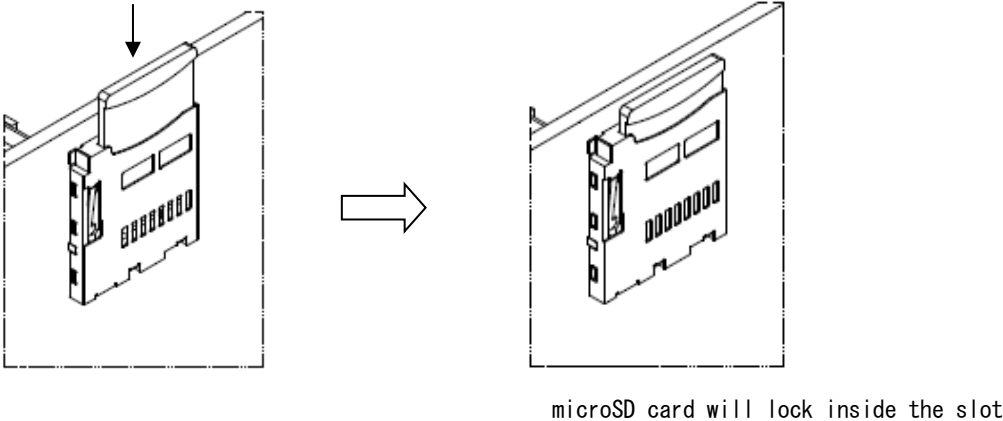
8. Inserting and Removing of the microSD card

8-1 Inserting the microSD card

1) Insert microSD card slot on the top side of the unit.

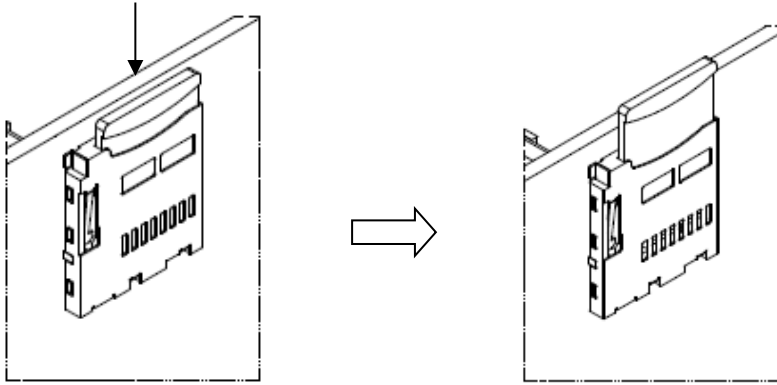


2) Push in microSD memory card with fingers until it locks.

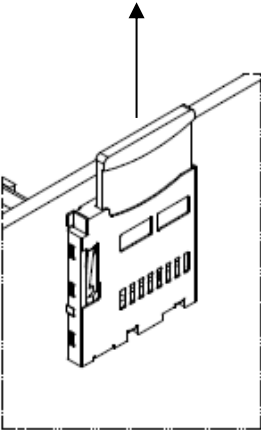


8-2 Removing the microSD card

- 1) microSD card will slightly pop out when pushed further into the slot.



- 2) Pinch and pull out the SD memory card.



Note:

- Be sure to insert the microSD card in the correct direction and do not insert in the wrong direction.
- Be sure to take back-up data of the microSD assuming unexpected accidents.
- Do not attempt to forcibly pull out the microSD card.
- Do not attempt to pull out the microSD card when in access.

9. Calibration

There are two types of calibration to EM8. One type is sensor sensitivity calibration to optimize the touch screen function by resetting the influence of ambient noise or metals of the installation environment, and the other is to set the value of coordinate with the pressed point.

9-1 Sensor Sensitivity Calibration

■EM8 Model (Projected Capacitive Touchscreen)

Calibration to be performed on projected capacitive touch panel models.

Calibrate after building in or when the touch screen function becomes unstable due to the ambient environment or its installation condition.

It is recommended that the sensor sensitivity calibration be performed in the same environment and condition that it will be used in.

Sensor sensitivity calibration can be done by set-up tool

See the following setup-tool manual for further detail.

Document
Tool manual (17A4A5-00017E)

9-2 Coordinate Calibration

■EM8 Model (Analog Resistive Touchscreen)

This is a calibration performed on an analog resistive touch panel model.

Calibrate if there is a big misalignment of the pressed point and the detected coordinate. Coordination Calibration can be performed from the set-up tools.

See the following setup-tool manual for further detail.

Document
Tool manual (17A4A5-00017E)

10. Starting Method


Make sure power wiring is complete before turning on the power.

Once display boot up screen, OS will boot up.

11. Maintenance

11-1 Display

When surface of display or frame gets dirty, wipe with a soft cloth damped in diluted neutral detergent and wrung dry.

 Do not use thinner, organic solvent, or strong acidic solvents.

11-2 Regular Maintenance

To keep the EM8 in best shape, please conduct maintenance on a regular basis.

Surrounding Environment Check

- 1) Ambient temperature is within specification range (0°C to 55°C)
- 2) Ambient humidity is within specification range (10 to 90%RH)
- 3) Ambient pressure is within specification range (800 to 1114hpa)

Electronic Specification Check

- 1) Voltage is within permissible range(5VDC±5%)

Installation Check

- 1) Make sure the connection cables are inserted firmly and completely.
- 2) Mounting brackets are installed firmly without any looseness.

12. Warranty and Repair

12-1 Inquires

In case of defects or when repair is needed for Seedsware products, feel free to contact us.

In case of making inquiries, please confirm the issue or the symptom beforehand. Also, when sending the product, please include a fully filled "Repair Request" form with the issue or the symptom noted.

Please make sure the product is packaged so it will not get damaged during shipment.

Where to contact:

USCO America Inc.

+1-512-502-1783 (Business Hours: 9:00a.m. ~5:45p.m. CT)

12-2 Warranty

The warranty period is limited to one year from the date of shipment. Any defects that occurred under proper use and environment noted in the specification will be repaired without charge (On-site repair). (The warranty for defects of the same area is three months.)

You will be liable for all repair fees even within the warranty period for any conditions listed below.

- 1) Any malfunctions and damages during transportation and transfer of mishandling by user after delivery.
- 2) Any malfunctions and damages caused by natural or man-made disaster
- 3) If the product is used under any condition, in any environment, or by any method other than those described in the product specification, catalogs, manuals or others.
- 4) Replacement of consumables
- 5) Any malfunctions and damages caused by failure of associated equipment, inappropriate consumables, and media.
- 6) Any malfunctions caused by science or technology that could not be predicted at time of sales.
- 7) Other malfunctions, damages, and/or defects that is considered to be caused by the user

The warranty only covers the product itself. Repair and replacement of damages caused by the failure of the product and/or repair and replacement will be charged.

12-3 Production Discontinuance

In the event of product discontinuance, an announcement will be made on our website at least six months prior to the discontinuance.

12-4 Repair Condition

- 1) Only Seedsware products can be repaired. Options are exempt.
- 2) Programs and data might be lost during repair. Please be sure to take back-up. Seedsware will not be held liable for any programs or data lost during repair.
- 3) All user information recorded in our product will be handled with much care. However, we ask that any important security information be deleted before repair.
- 4) Repairs will be done in our workshop after it is sent back. All shipping fee will be charged.
- 5) Seedsware will have all ownership for parts exchanged at repair.

13. Others

For comments or inquiries, feel free to contact us via e-mail.

*Product, specification and/or anything noted are subject to change for improvement without prior notice.

By E-mail



sales@uscoamerica.com

FAQ



www.seedsware.co.jp/global/support/faq/

4th Edition, September 2022

USCO America Inc.

136 W. Valletts Street, Elmhurst, IL 60126 USA

E-mail: sales@uscoamerica.com

Business hours: 9:00a.m. ~5:45p.m. (Central Time)

<http://uscoamerica.com/>

This document is protected by copyright law. Photocopying, duplicating, reproducing, and modifying of this product or document in part or by whole is prohibited.